



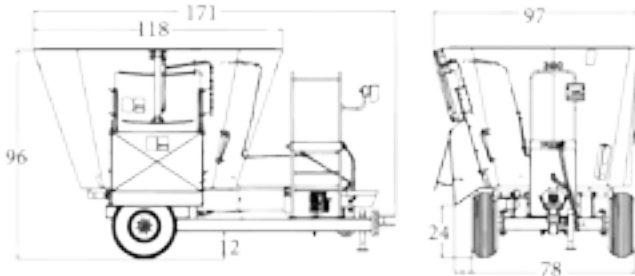
SINGLE AUGER PULL TYPE MIXERS

Standard Equipment

- Replaceable Forage Cutting Blades
- Patented Freestanding Vertical Mixing Auger
- Manual Restrictor Plates
- Heavy-Duty Planetary Drive
- 540 rpm PTO
- Heavy-Duty Tubular Steel Frame
- 5/8" M/S Floor
- 1/4" AR200 Walls
- 5/8" AR200 Auger Flighting
- Left or Right Hand Side Door With Drop Chute
- 3 pt DG Stad 04 Plus Scale with Remote Port and 12 Recipe Programming Capability
- 12 Volt Battery
- Ultra Wear Kickerplate
- SS Conveyor Top Pan on Conveyor Models



3000



Standard unit may not be exactly as shown.

	Imperial	Metric
Empty Weight	5,700lbs	2,586kg
Max. Payload at 5MPH	6,000lbs	2,727kg
Height	98in	249cm
Height W/10" Extension	108in	274cm
Overall Width	97in	246cm
Overall Length	171in	434cm
Min. Power Required	50HP	36.8 kW
Capacity w/ Extension	278 cu ft	7.9 m ³
Capacity Struck Level	235 cu ft	6.7 m ³

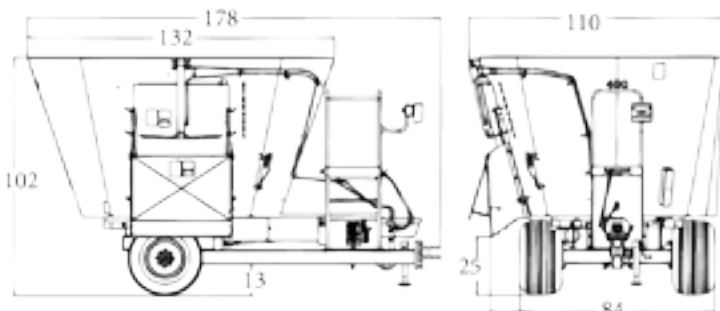
Discharge Ground Clearance (side door conveyor)

21" Fixed	36" Fold	44" Fold	Fixed Chute
34"/86cm	41"/104cm	44"/112cm	24"/61cm

Additional Standard Equipment

- (4) Replaceable Forage Cutting Blades
- Left or Right Hand Side Door with Drop Chute
- Removable Hitch Jack
- (2) 12.5L-15, 12 Ply Rated Hwy Service Tires

4000



Standard unit may not be exactly as shown.

	Imperial	Metric
Empty Weight	6,400lbs	2,903kg
Max. Payload at 5MPH	10,000lbs	4,545kg
Height	102in	259cm
Height W/10" Extension	112in	284cm
Overall Width	110in	279cm
Overall Length	178in	452cm
Min. Power Required	60HP	44.1kW
Capacity w/ Extension	378 cu ft	10.7 m ³
Capacity Struck Level	321 cu ft	9.1 m ³

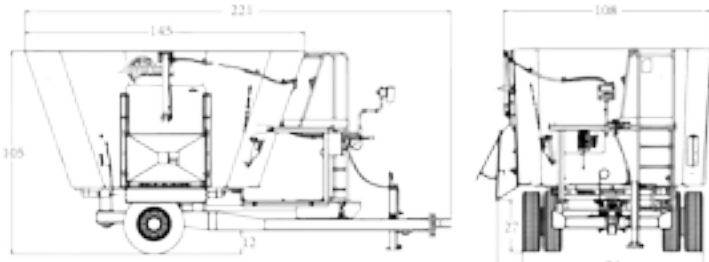
Discharge Ground Clearance (side door conveyor)

21" Fixed	36" Fold	44" Fold	Fixed Chute
34"/86cm	41"/104cm	44"/112cm	24"/61cm

Additional Standard Equipment

- (4) Replaceable Forage Cutting Blades
- Left or Right Hand Side Door with Drop Chute
- Removable Hitch Jack
- (2) 19x45x17 Flotation Implement Tires

5000



Standard unit may not be exactly as shown.

	Imperial	Metric
Empty Weight	9,000lbs	4,082kg
Max. Payload at 5MPH	14,000lbs	6,363kg
Height	105in	267cm
Height W/10" Extension	115in	292cm
Overall Width	108in	274cm
Overall Length	221in	561cm
Min. Power Required	100HP	73.6kW
Capacity w/ Extension	462 cu ft	13.1 m ³
Capacity Struck Level	398 cu ft	11.3 m ³

Discharge Ground Clearance (side door conveyor)

21" Fixed	36" Fold	44" Fold	72" Fold	96" Fold	F. Chute
27"/69cm	42"/107cm	46"/117cm	57"/145cm	68"/173cm	27"/69cm

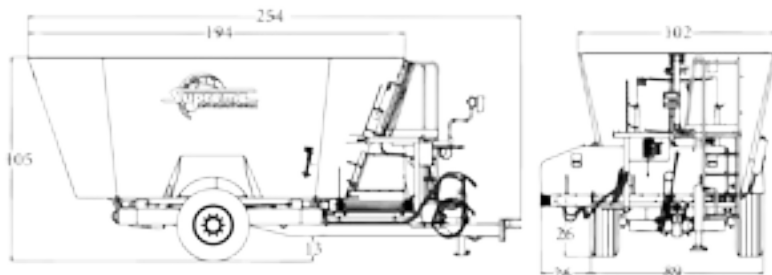
Discharge Ground Clearance (front door conveyor)

Flat	Dogleg	Ext. Dogleg	42" Fold	54" Fold
27"/69cm	39"/99cm	50"/127cm	44"/112cm	49"/124cm

Additional Standard Equipment

- (5) Replaceable Forage Cutting Blades
- Left or Right Hand Side Door with Drop Chute
- Solid Truck Axle with (4) 235x75x17.5 Truck Tires
- 540 or 1000RPM
- SS Auger Leading Edge

6000



Standard unit may not be exactly as shown.

	Imperial	Metric
Empty Weight	9,700lbs	4,423kg
Max. Payload at 5MPH	14,000lbs	6,363kg
Height	115in	292cm
Height W/10" Extension	125in	318cm
Overall Width	102in	274cm
Overall Length	224in	569cm
Min. Power Required	100HP	73.6kW
Capacity w/ Extension	537 cu ft	15.2 m ³
Capacity Struck Level	469 cu ft	13.3 m ³

Discharge Ground Clearance (side door conveyor)

21" Fixed	36" Fold	44" Fold	72" Fold	96" Fold	F. Chute
36"/91cm	42"/107cm	46"/117cm	57"/145cm	68"/173cm	27"/69cm

Discharge Ground Clearance (front door conveyor)

Flat	Dogleg	Ext. Dogleg	42" Fold	54" Fold
27"/69cm	39"/99cm	50"/127cm	44"/112cm	49"/124cm

Additional Standard Equipment

- (5) Replaceable Forage Cutting Blades
- Left or Right Hand Side Door with Drop Chute
- Solid Truck Axle with (4) 235x75x17.5 Truck Tires
- 540 or 1000RPM
- SS Auger Leading Edge